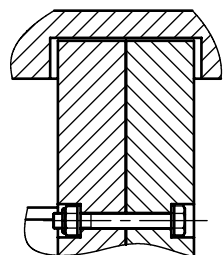
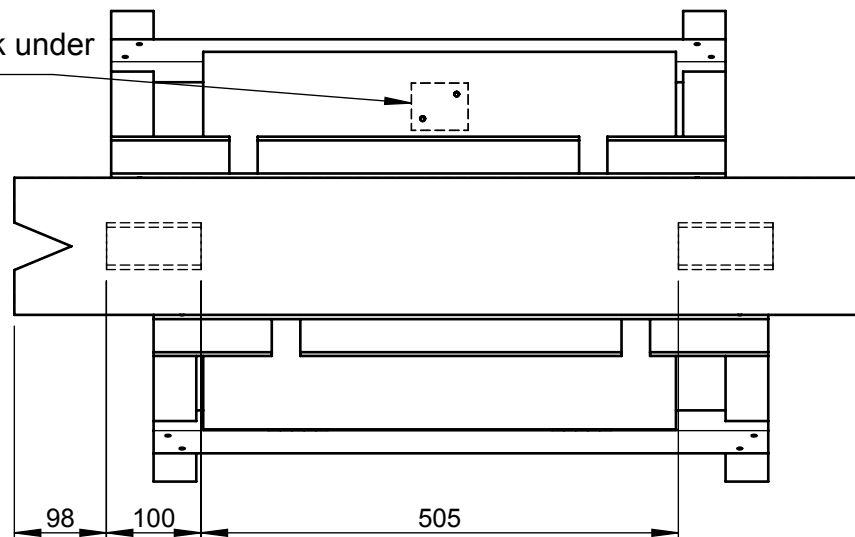
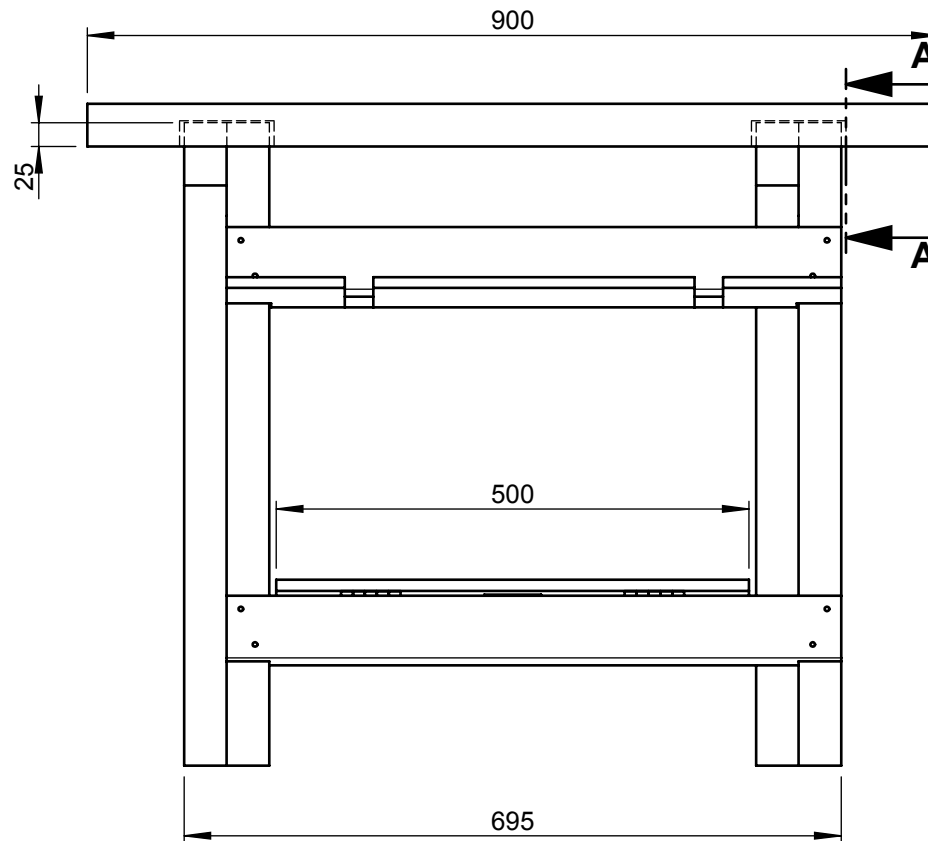
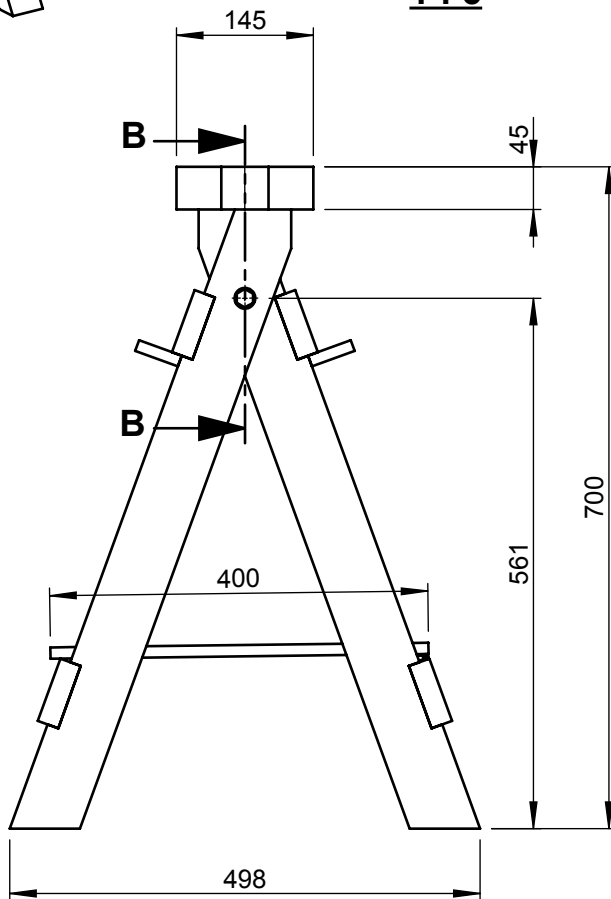


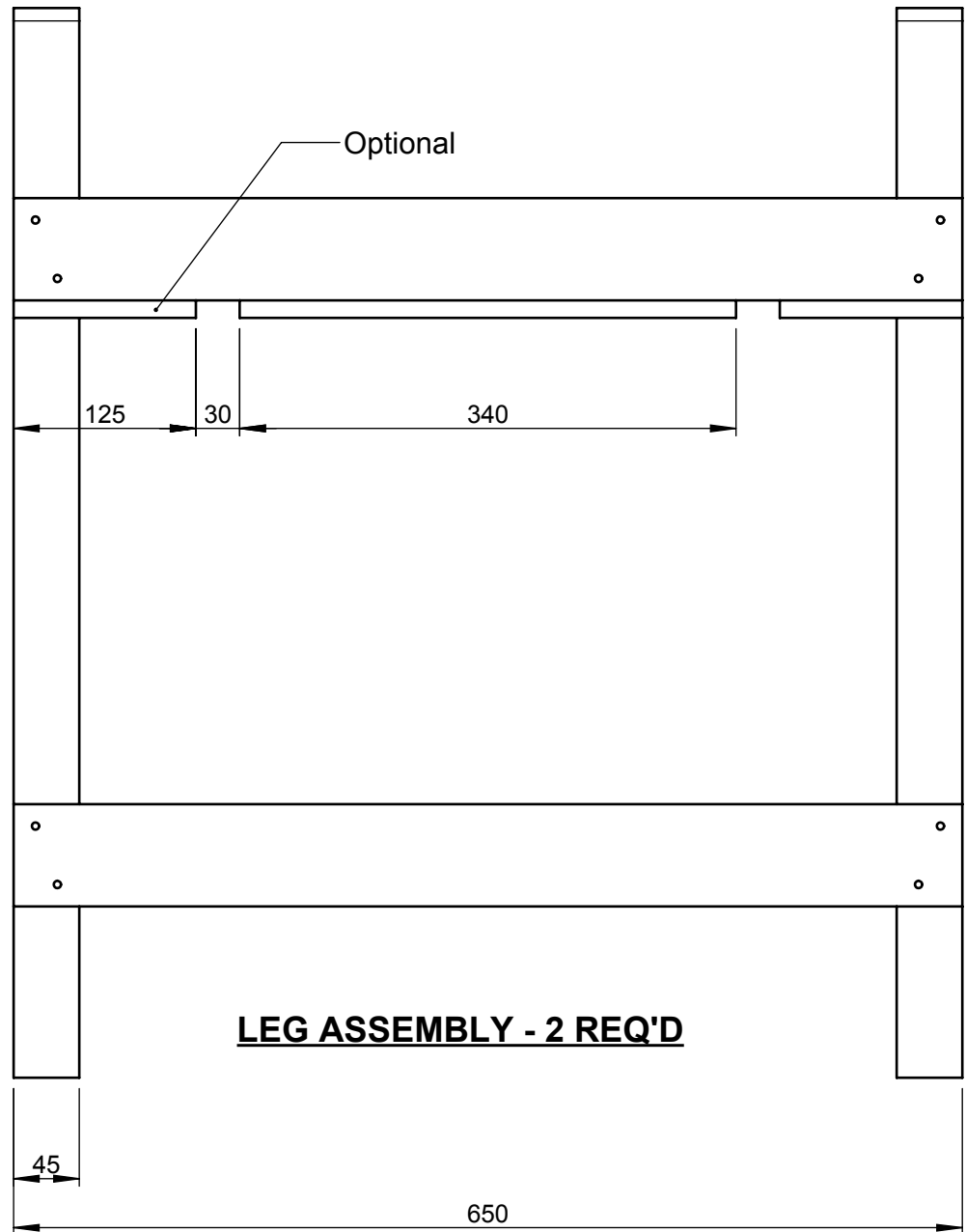
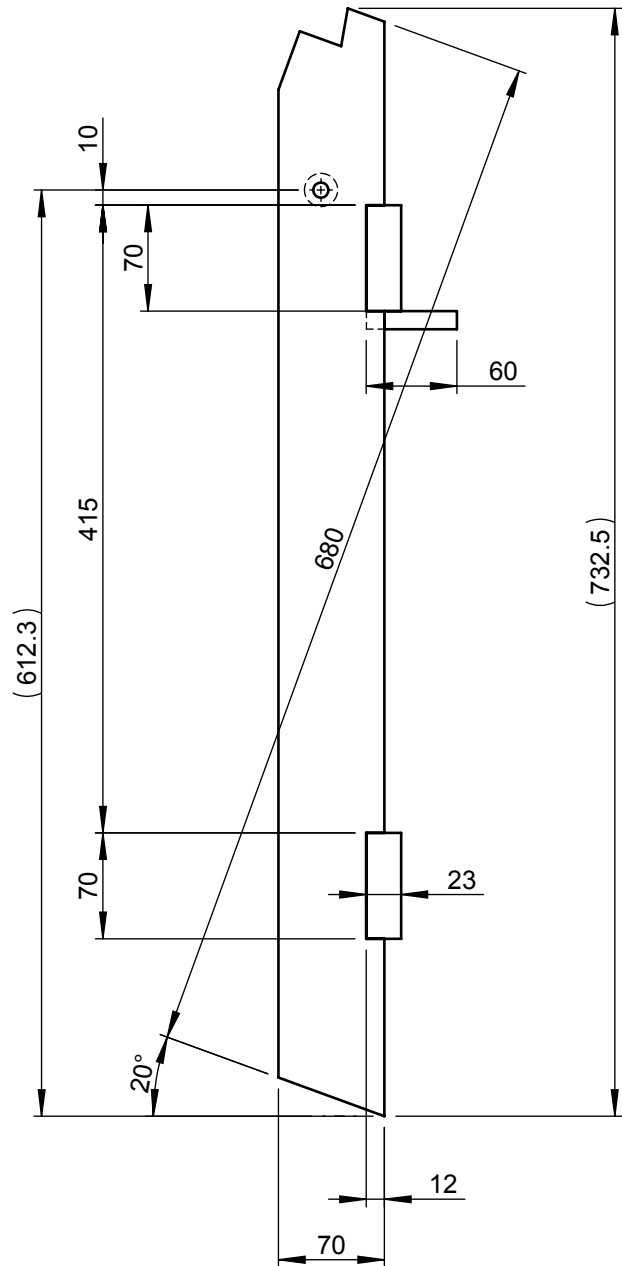
SECTION A-A
1 : 5

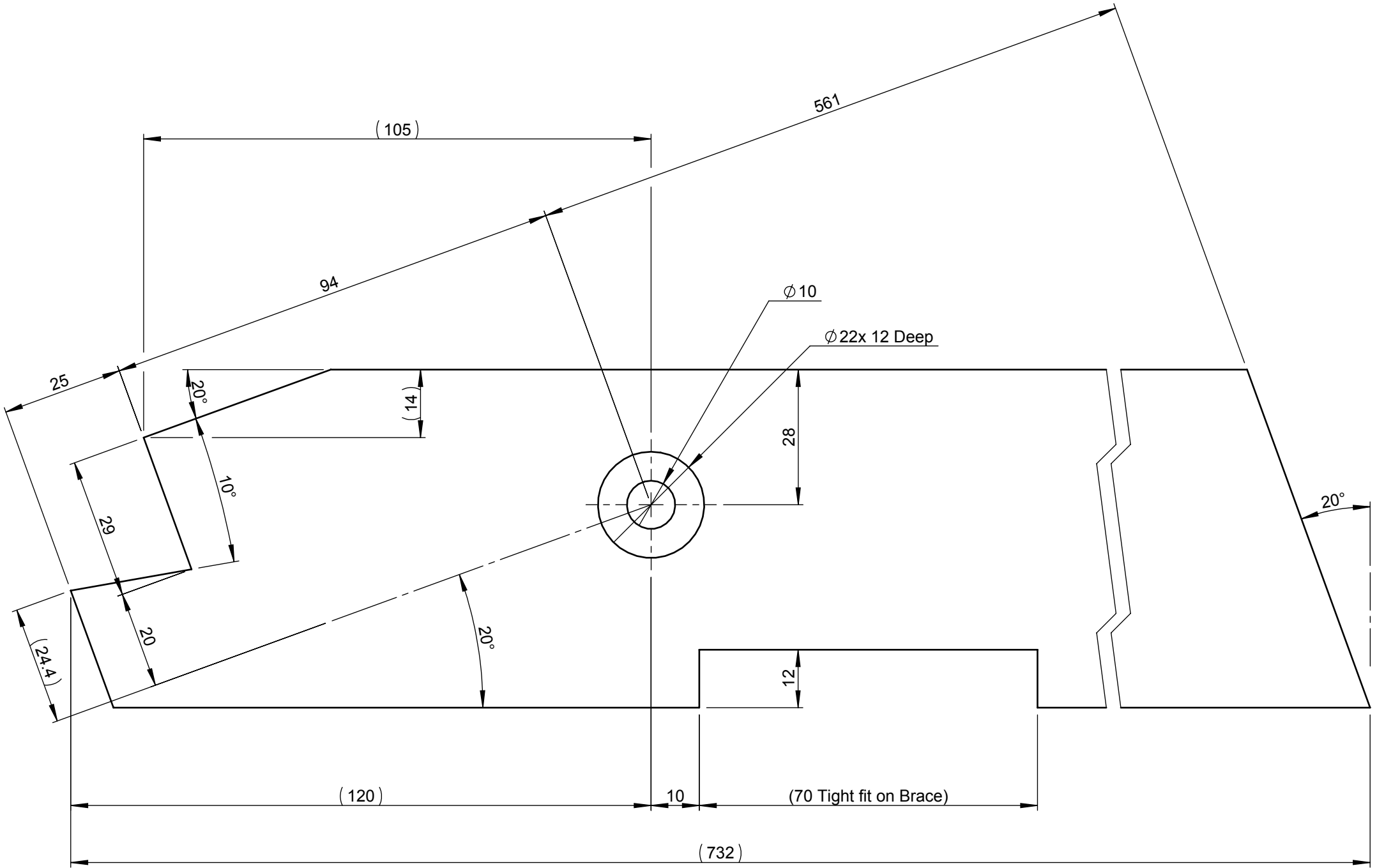
Screw block under
to lock tray



SECTION B-B
1 : 5







LEG - 4 REQ'D